

SERVICE MANUAL – M125

MODEL # 1 MANUAL CAN OPENER



Model #1 Can Opener Assembly Procedure

The Model #1 can opener will be assembled according to the following procedure.

I. Model #1 Handle and Arbor Assembly (A507) Fig. 1

Insert arbor (A025) into slot at end of handle assembly (A500). Align holes and secure using a roll pin (P033).

II. Model #1 Knife holder Assembly (A513) Fig. 1

Place knife (K004) and knife support (S209) on tang of knife holder (H019) and secure using screws (S072). (See Fig. 1.)

III. Model #1 Main Assembly

Place spring (S150) and washer (W036) down inside top hole in slide bar (B011). Place spring compression tool (A5191) into gear slot from the rear of the gear slot and compress the spring and washer until the ears of the knife holder assembly (A513) slide over the top of the spring and washer. Align holes in knife holder and slide bar and insert rivet (R040). Place head of rivet on metal plate and upset other end using a hammer.

Remove the spring compression tool and insert gear (G003) with name "Edlund up" toward the top of the opener and slide washer (W005) over the top of the gear. Place the bushing (B119) into opening in the top of the slide bar and insert arbor of handle and arbor assembly (A507) down through the bushing, washer, spring and gear washer and thread arbor into the gear.

Keep the gear from rotating by placing a soft nail or screw into the left side of gear slot between the gear and the edge of the gear slot.

When arbor is completely threaded into the gear there should be very little space between the top of the bushing (B119) and the bottom of the handle.

Lubricate the arbor hole using a non-sticking vegetable oil and inspect using test inspection instructions EC1065A.

IV. Can Opener Maintenance

1. #1 Knife Replacement Procedure

The knife (K004) should be checked periodically to make sure that there are no nicks or visible wear on the edge. When a nick or groove can be felt with a fingernail, the knife should be reversed to use the unused knife-edge or replaced.

Raise the handle and remove the two screws that secure the knife to the knife holder, turn knife over or replace knife, place knife support back over the knife and secure with screws (S072).

2. #1 Gear Replacement Procedure

If gear will not turn a can or starts to remove metal from the can bead, the gear needs to be replaced. To remove the gear, place a soft nail or screw on the right side of the gear between the gear and the edge of the gear slot, to hold gear, and turn handle and arbor counterclockwise.

Care and Maintenance Procedures

The Model #1 manual can opener, manufactured by the Edlund Company, must receive proper care and maintenance in order to function properly and to prevent any unsafe conditions over the life of the product or the life of any of its components. To ensure maximum life of the opener, the following care and maintenance procedures should be followed:

I. Cleaning Procedure

The can opener must be cleaned daily or after each extended use as follows:

- A. Remove all the food and can opening residues from the drive gear, the drive gear cavity, the knife and the area around the can stop using the stainless steel cleaning brush, (Edlund Model #ST-93). Regular use of this tool will help prevent unwanted product buildup and harmful bacteria growth.
- B. Wash the knife, gear and any splash area on the opener using soap and water. Do not allow parts to soak.
- C. Thoroughly dry the knife, gear and can opener using a dry cloth or paper towel.
- D. Coat the knife and gear with non-sticking vegetable oil to prevent rusting when the can opener is not in use.

II. Maintenance Procedure

Periodically perform maintenance as follows to ensure sanitary and safe food handling requirements and to extend the life of your opener.

- A. Check the shear blade or knife by running a fingernail over the cutting edge to make sure a sharp groove does not develop. A groove can cause metal can slivers. If a groove is found remove the two screws securing the knife to the knife holder and turn over to use the unused cutting edge or replace the blade with a new blade or knife. Place the knife support over the top of the knife and secure using the two knife holder screws. This inspection should be done when the can opener is cleaned. Please note: The Edlund knife is intentionally dull with rounded edges to prevent can slivers. However, the friction of metal-to-metal contact between the knife and the can will eventually cause the blade to sharpen itself. Check the knife regularly for sharp edges and grooves and remember, **“Never sharpen can opener blades.”**
- B. The drive gear should be inspected for wear monthly by first opening an undamaged #10 can with the opener. Inspect the can bead to see if the lines left by (tooth marks) the drive gear are narrow and evenly spaced, or if they are wide which indicates that the gear

is slipping and may be removing metal from the can bead. If the gear is removing metal from the can bead, or “milling,” inspect the gear for wear.

If the teeth of the drive gear are dull, replace the drive gear using the procedure listed in Paragraph C below.

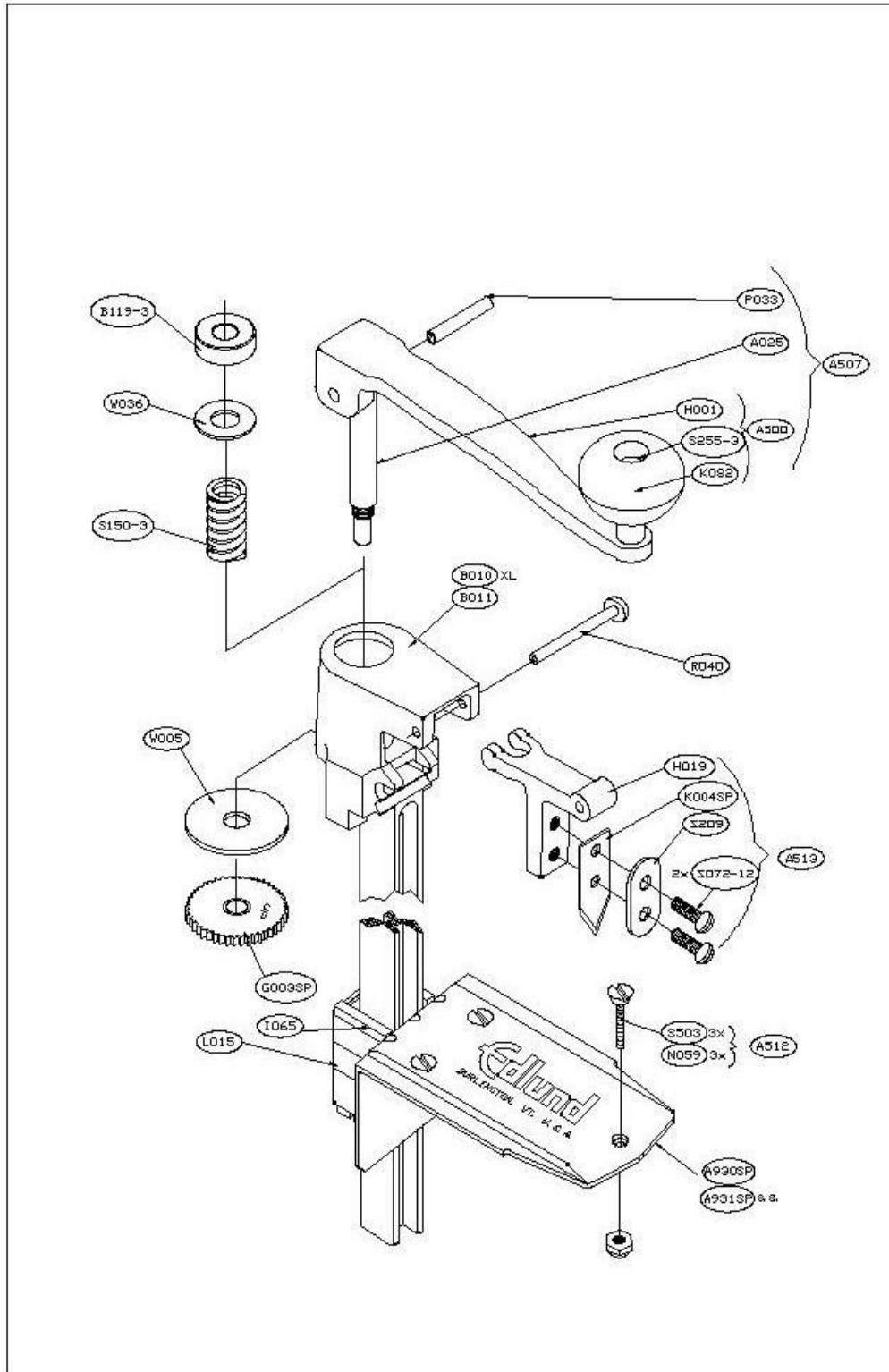
If the gear teeth appear to be sharp, inspect the arbor hole located below the gear by turning the opener upside down and determining if the hole is elongated or worn. If the hole is elongated, the opener is beyond repair and must be replaced.

C. Drive gear replacement is accomplished by first removing the knife and knife support from the knife holder. Place the can opener in the can opener base and place a nail, flathead screwdriver or other soft metal object to prevent rotation of the gear in the space on the right side of the gear between the gear and the edge of the gear slot. Remove the handle and arbor assembly from the gear by turning the handle counter-clockwise until the handle is detached from the drive gear. Remove the worn drive gear and gear washer from the gear slot and place the gear washer over the new gear with the word “up” toward the top of the can opener. Replace the gear and gear washer in the gear slot and insert the handle and arbor assembly back through the bushing and spring and into the threaded hole of the gear. Place a nail or soft metal object to prevent gear rotation in the space on the left side of the gear between the gear and the edge of the gear slot and rotate the handle clockwise until the assembly is tightened completely. Replace the knife and knife support and attach using the two knife holder screws.

D. To prevent premature wear of the arbor hole of the slide bar, place a small amount of non-sticking vegetable oil in the arbor hole located under the drive gear weekly or after each cleaning.

E. The can opener and base should be inspected weekly for any excessive wear or rust on any surface. If rust or wear is found to be excessive, replace the can opener and/or the base as required.

Note: Edlund Company manufactures the most complete line of can opening equipment in the world. Each model is designed for specific applications and/or volume requirements, and if used and maintained properly, will last a long time. If your operation requires opening 200 cans a day, a manual opener designed for 50 cans a day will wear out more quickly than necessary. Please follow Edlund’s guideline for recommended applications found in our catalogue and price list.



PARTS LIST

PART #	U/M	DESCRIPTION
A025	EA.	ARBOR, #1
A500	EA.	ASSEMBLY, #1 HANDLE & KNOB
A930	EA.	ASSEMBLY, #1 CRS (MILD STEEL) BASE
A931	EA.	ASSEMBLY, #1 STAINLESS STEEL BASE
A507	EA.	ASSEMBLY, #1 HANDLE/ARBOR
A513	EA.	ASSEMBLY, #1 KNIFEHOLDER
A5191	EA.	ASSEMBLY, #1/#2 SPRING RELEASE CLAMP
B011	EA.	BAR, #1 SLIDE (CASTING ONLY)
B119	EA.	BUSHING, #1
G003M	BOX	GEAR, #1 24 PKG.
G003SP	PKG.	GEAR, #1 SINGLE PACK
H001	EA.	HANDLE, #1 C.O.
H019	EA.	HOLDER, #1 KNIFE
I064	EA.	INSERT, #1 BASE
K004M	BOX	KNIFE, #1 24 PKG.
K004SP	PKG.	KNIFE, #1 SINGLE PACK
K082	EA.	KNOB, MANUAL CAN OPENER
L015	EA.	LABEL, #1/#2 WARNING FOR BASED
N059	PKG.	NUT, 10-32 SELF LOCKING (3/PKG. W/S503)
P033	EA.	PIN, ROLL, 7/32 X 1-3/8 PLATED
R040	EA.	RIVET, #1 KNIFEHOLDER, .247X1-5/8
S072	EA.	SCREW, #1/#2, 12-24 X 7/16 RHM
S150	EA.	SPRING, #1
S255	EA.	STUD, #1/#2 KNOB
S209	EA.	SUPPORT, KNIFE
A512	PKG.	BASE HARDWARE ASSM.: (3) N059, (3) S503
W005	EA.	WASHER, #1 GEAR
W036	EA.	WASHER, #1 SPRING

Model No. 1 Can Opener -Trouble Shooting Guide

Problem	Cause	Correction
I. Can opener will not turn can.	1. Drive gear is worn.	1. Replace gear (G003).
	2. Drive gear needs cleaning.	2. Clean drive gear (G003) using cleaning brush (ST-93).
	3. Arbor hole in slide bar or arbor is worn allowing gear to move out of contact with the can bead.	3. Replace can opener.
II. Knife will not lift far enough from gear to pierce can when handle is lifted.	1. Worn ears on knifeholder.	1. Replace knifeholder (H019).
	2. Worn bushing (B119).	2. Replace bushing.
	3. Worn handle (H001).	3. Replace handle.
III. Metal slivers found in food product.	1. Nick or groove on cutting edge of knife.	1. Reverse knife or replace
	2. Worn drive gear (G003).	2. Replace drive gear.
	3. Sharp edge on edge of knife stop.	3. Round sharp edge using file or replace can opener.
IV. Can opener keeps withdrawing from can during can opening operation.	Worn or loose bar holder on base.	1. Replace base.
	2. Can opener used in can opener base or preparation table that doesn't have two degree angle on bar holder.	2. Replace base or repair hole in table to include two degree angle to bar holder.

FINAL INSPECTION INSTRUCTION

DOC: EC1065B

DATE

MODEL: NO 1 MANUAL CAN OPENER

EFFECTIVE: 01 Oct. 2000

OWNER: QUALITY ASSURANCE MANAGER

Reference only

**THIS HARD COPY MAY BE OBSOLETE
VERIFY THE ABOVE IS THE LATEST USING THE MASTER LIST OR CONTACT
THE DOCUMENT CONTROL COORDINATOR.
OBSOLETE DOCUMENTS MUST BE PROMPTLY REMOVED FROM USE**

1.0 PURPOSE and SCOPE

To provide a uniform and consistent method for acceptance/rejection of finished product.

2.0 INSTRUCTION

2.1 FUNCTIONAL TEST

- 2.1.1 Select a No. 10 can, lift the slide bar handle to the open position, the handle shall operate smoothly and freely without binding.
- 2.1.2 Check the “**gap**” or “**lift**” between the knife and gear using gauge no. EFG-30, the “gap” shall be between one hundred ten thousandths (.110) to one hundred seventy thousandths (.170).
- 2.1.3 *With the opener in the closed position, the gap or space between the knife and gear shall not exceed fifteen thousandths (.015). Check with .015 feeler stock.*
- 2.1.4 Place the slide bar into the test base, the stops under the head must contact the top of the test base, position the selected can, pierce the can and lower the handle to the closed position, open the can.
- 2.1.5 The knife shall puncture the can easily and cleanly, iron closely and sever the lid completely.
- 2.1.6 The gear shall not “**skip, mill, or chatter**” during opening, the gear must not “**drag**”, in any way, on the top or bottom of the gear slot.
- 2.1.7 The gear teeth shall not “**chip or break**” during opening.
- 2.1.8 Remove the opener from the can and inspect the “**can bead**” for any indication of “**milling**” or “**skipping**”.

3.0 VISUAL INSPECTION

- 3.1 Check to ensure that all fasteners (S255-S072) are tight and free of looseness.
- 3.2 Inspect for damaged or chipped plating or “**yellowing**” of the plating (“**yellowing**” is most prevalent in “**humid weather**”).
- 3.3 Inspect for obvious casting defects (holes-cracks-or broken slide bars).

4.0 END OF DOCUMENT